

select^{CT}™

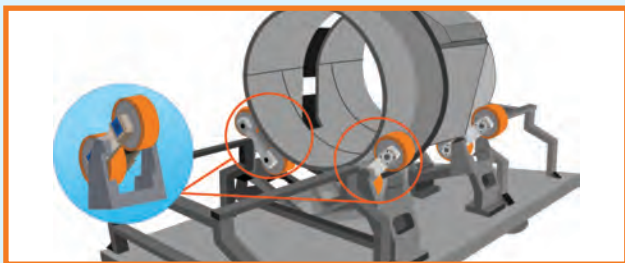
HOLD BAGGAGE & AIR CARGO SECURITY SYSTEM



Product Overview

The Analogic SeleCT™ is an advanced aviation security EDS engineered to deliver superior threat detection and low total cost of ownership. It features a large tunnel Computed Tomography (CT) design that supports selectable speeds up to 1800 BPH, and selectable threat detection algorithms.

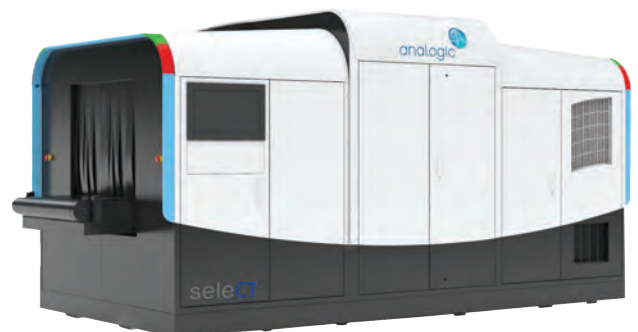
SeleCT combines CT imaging with advanced EDS threat detection software. This reduces false alarms, secondary screening costs, and increases hold baggage scanning throughput. Designed to meet the highest global standards for threat detection, SeleCT is open architecture ready, and can be upgraded via in-the-field software enhancements.



Innovative, High-Reliability Truck-Based Cradle Design

Highlights

- 4th Generation CT-based EDS with full 3D, high resolution imaging and intuitive touchscreen workstation interface
- Selectable speed EDS, up to 1,800 BPH
- Innovative truck-based cradle design eliminates need to replace costly bearings, lowering the cost of ownership, and dramatically improving system reliability
- Interoperable network architecture supports checkpoint and hold baggage operations, remote image analysis, and system monitoring
- Open architecture ready for 3rd party algorithms





Specifications

Physical Specifications

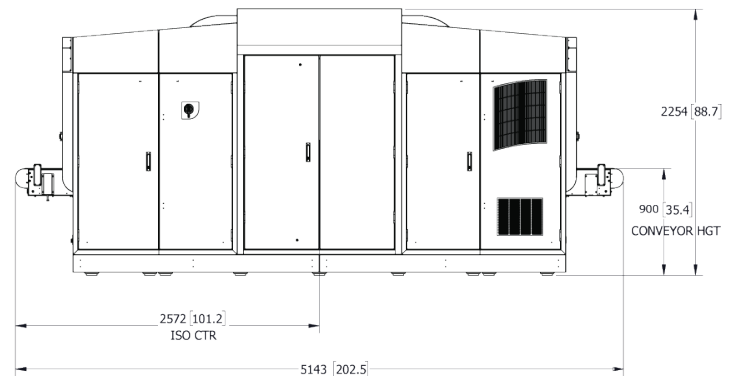
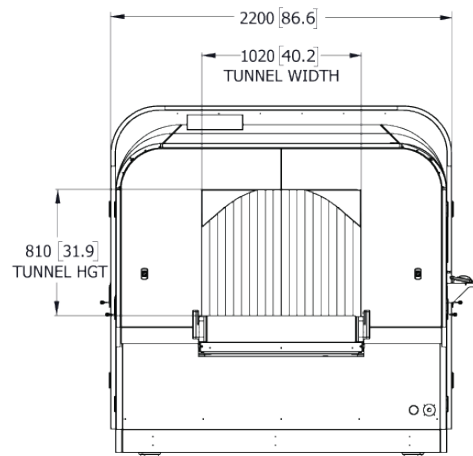
DIMENSIONS	L	5,143 mm (202.5 in)
	W	2,200 mm (86.6 in)
	H	2,260 mm (89.0 in)
TUNNEL SIZE	W	1020 mm (40.2 in)
	H	810 mm (31.9 in)
WEIGHT		<6,000 kg (13,228 lbs)

Environment & Power

OPERATING TEMP	0-40 C (32-104 F)
OPERATING HUMIDITY	10-85%, non-condensing
STORAGE TEMP	-20 to 50 C (0-120 F)
POWER CONSUMPTION	<10 kVa typical
INPUT VOLTAGE	400/480VAC
X-RAY POWER	160 kV, 15mA
OPERATING NOISE LEVEL	<80dB
COMPUTER OS	Linux

Performance

CONVEYOR SPEED	0.3 m/s and/or 0.5 m/s
MAX CONVEYOR LOAD	136 kg (300 lbs)
OPERATIONAL THROUGHPUT	1,000 BPH (non-surge)
	1,800 BPH (w/ surge capacity)



The information contained in this datasheet is subject to change without notice. This datasheet is intended for marketing purposes only and in no event shall it be used or included in a resulting contract between Analogic and customer. Actual products delivered may not include all the features and capabilities shown. Analogic disclaims any and all warranties if the information in this data sheet is inaccurate. Final determination of the suitability of Analogic's products for any application or the manner of its use is the customer's sole responsibility.