

Aviation Security Market Leader

No company can match Analogic's track record of CT innovation and volume production!



<p>1975</p> <p>First instant-imaging CT, 3rd generation data acquisition electronics</p>	<p>2002</p> <p>OEM: TSA and international checked baggage screening OVER 1500 SOLD</p>	<p>2012</p> <p>OEM: First 1800 bph EDS Certified to ECAC STD 3 600+ SOLD</p>	<p>2018</p> <p>ConneCT ACHIEVES TSA AND ECAC CERTIFICATION</p> <p>TSA CERTIFIED ECAC APPROVED</p>	<p>2021</p> <p>SelectCT hold baggage system developed</p>	<p>2022</p> <p>AWARDED UP TO 1000 TSA CHECKPOINT LANES</p> <p>Largest competitive checkpoint contract</p>
---	--	--	--	--	--

ConneCT SPECIFICATIONS

DIMENSIONS: L: 106 in (2,692 mm)
W: 56.9 in (1,444 mm)
H: 66.00 in (1,676 mm)

TUNNEL SIZE: W: 24.4 in (620 mm)
H: 16.5 in (420 mm)

WEIGHT: Approx. 4,290 lbs (1950 kg)



... transforming the **future of aviation security**



conneCT™ CHECKPOINT SYSTEM

- ECAC and TSA certified -- Global Footprint
- Open architecture platform and networking
- Multiple automated tray return systems
- Optimizes passenger throughput
- Designed for lower total cost of ownership



Analogic Corporation - Headquarters USA
8 Centennial Drive, Peabody, MA 01960
www.analogic.com

✉ securitysales@analogic.com
🐦 @AlogSecurityCT



The names Analogic and the globe logo are registered trademarks of Analogic Corporation.

Security technology that helps airports grow – now, and in the future



Common operating platform

ConneCT's common operating platform shares core features with other Analogic security solutions such as our SeleCT hold baggage screening system.

Result: lower costs, seamless integration, increased revenue velocity.

- Advanced computed tomography detection
- Open architecture supports third party applications

- Common GUI
- Touchscreen interface
- Cyber hardened

- World Class service, support, and logistics

- Energy-efficient design
- Sustainable components
- Reduced carbon footprint

CORE DESIGN PRINCIPLES

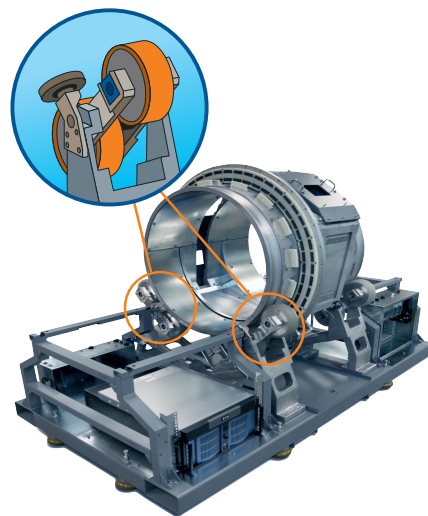
Breakthrough gantry design

Truck rollers reduce cost of ownership. Replaces traditional bearing design and cuts maintenance costs and system downtime.

No competitor offers this!

Replacement takes only 2 hours, by one technician, on-site!

ConneCT Gantry Design GAME CHANGER!

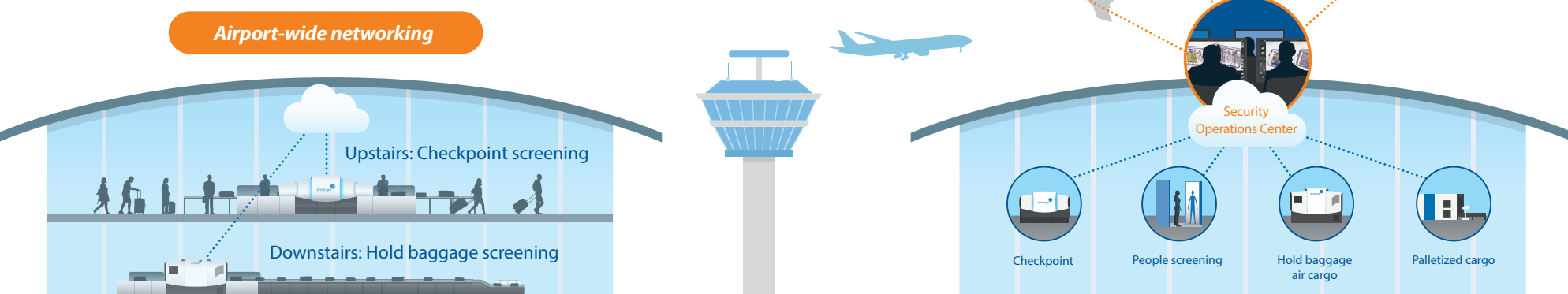


Leveraging networking and multiplexing

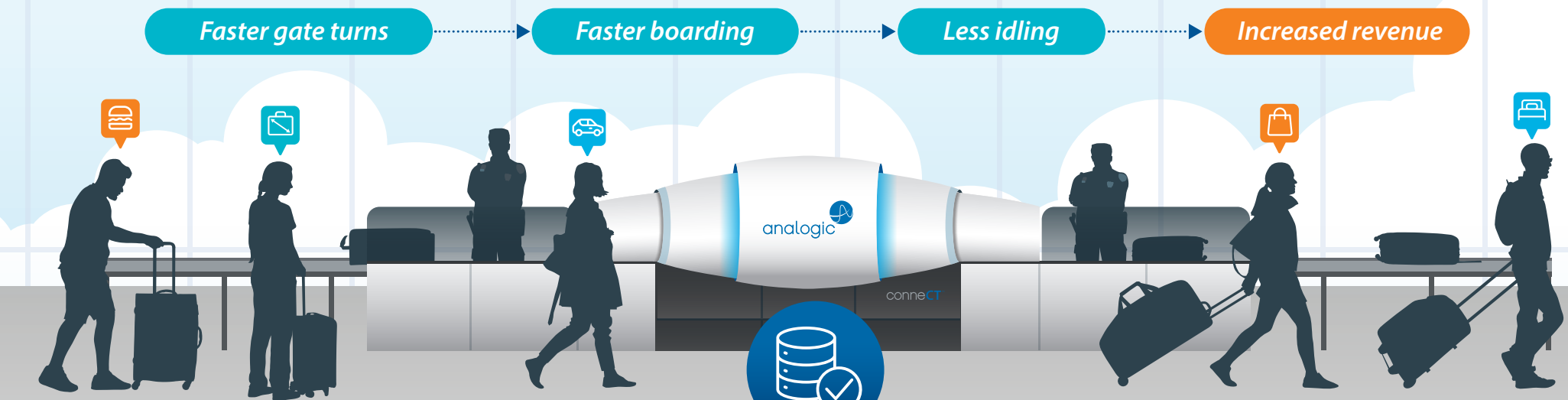
Supports networking and multiplexing within an airport, across multiple airports – even internationally.

Enable operational efficiency, revenue-creating applications, new business models.

Support remote screening solutions to optimize staff productivity and airport real estate.



OUR VISION → Leveraging *data and networking*



- Destination hospitality and travel
- Airport retail
- Airlines
- Travelers
- Airport operators/US TSA

- Leverage data to integrate the travel experience and enable seamless passenger journeys
- Provide real-time information to travelers, airlines, and concessionaires



Ask us how we transform travel and enable new business models